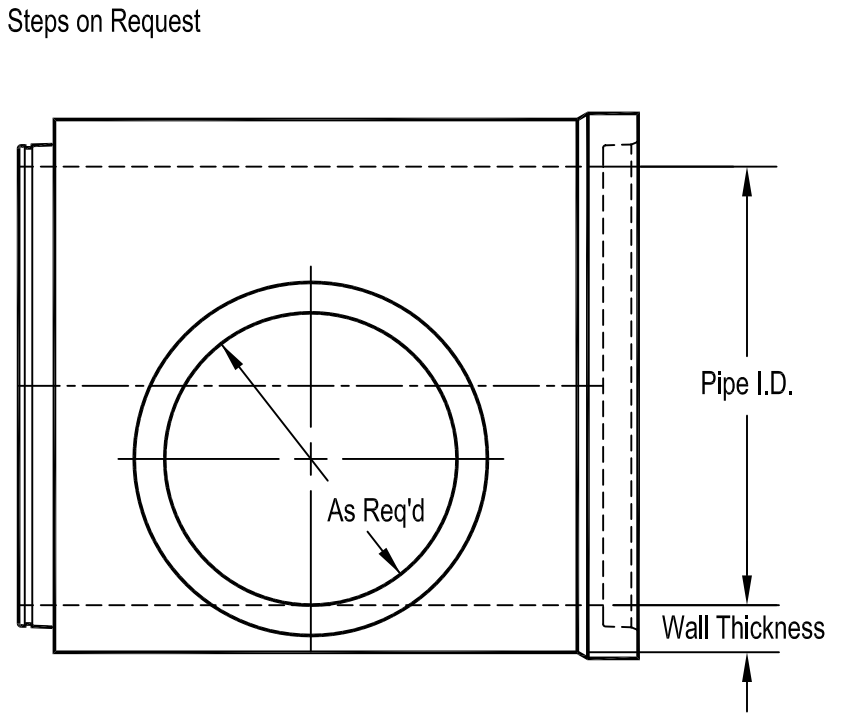
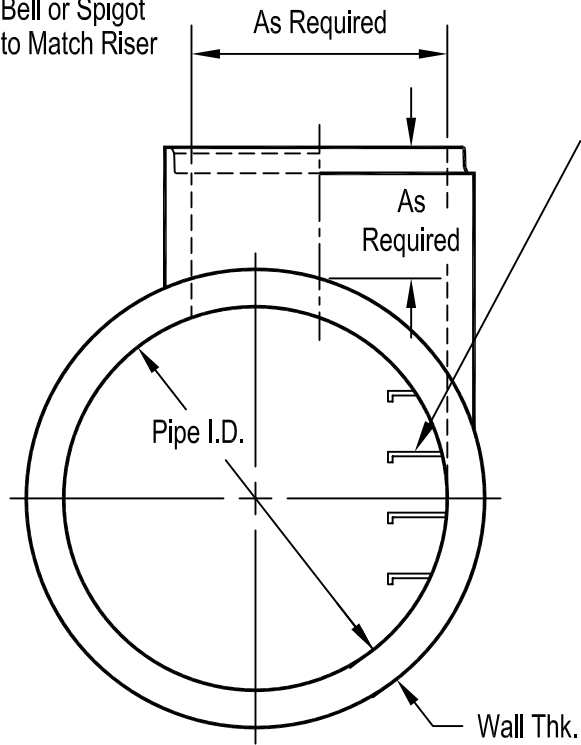


**Reinforced Concrete
Eccentric Manhole Tee**

Tee Riser Can Be
Bell or Spigot
to Match Riser



View Looking From Spigot to Bell

Plan View

Manhole Shown Tangent Right, for
Manhole Tangent Left Mirror Image Will Apply

Notes:

1. Produced to meet ASTM specifications.
2. Manhole tee's are also available centered.
3. Contact a Concrete Pipe Division representative for details not listed on this sheet.